



Food Shield

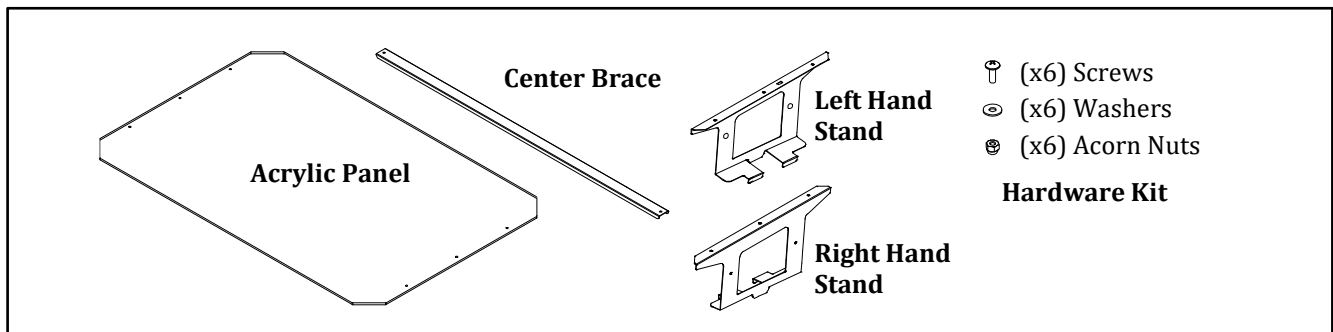
Model No. 8570-00-000, 8571-00-000, and 8572-00-000

Food Shield Series 8570, 8571, and 8572 are designed for use with Gold Medal Roller Grills.

- Model 8570 (19.75") fits Roller Grill 8550 Series
- Model 8571 (24.75") fits Roller Grill 8551 Series
- Model 8572 (34.25") fits Roller Grill 8552 Series

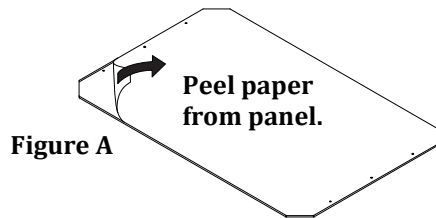


Items Included



Assembly Instructions

Step 1. Peel paper covering from both sides of acrylic panel (see Figure A).

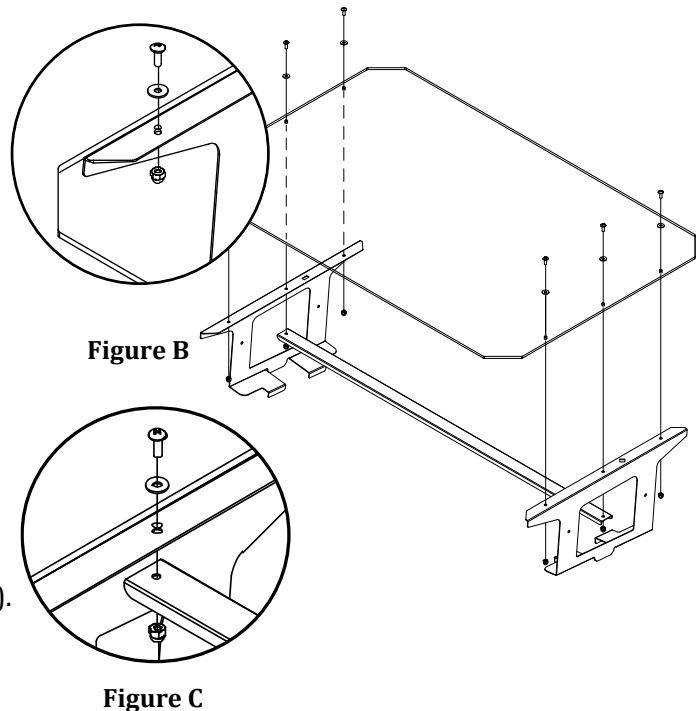


Step 2. Align holes in acrylic panel and stand (reference Figure B for parts orientation).

Then fasten each stand using the two outer holes and the hardware provided (finger tighten hardware only).

Step 3. Align brace with the center holes and attach with hardware provided (see Figure C).

Step 4. Snug all hardware to secure, DO NOT overtighten.





Installation on Roller Grill

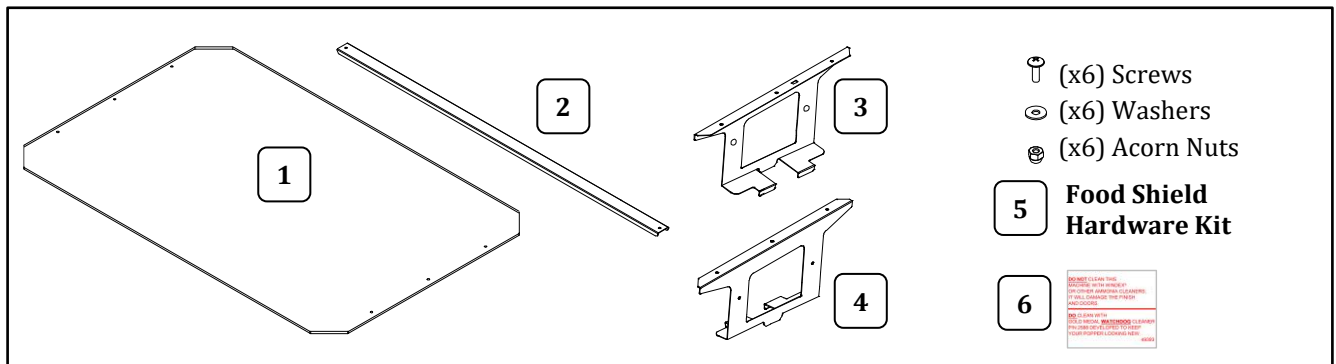
Roller Grill must be off and allowed to cool, before attempting to install the Food Shield.



Cleaning and Care

The Roller Grill must be OFF and allowed to cool prior to removing or cleaning the Food Shield. Use a soft, damp cloth to clean, then wipe dry. **DO NOT** use oven cleaners or abrasive materials as they will damage the unit. Ammonia cleaners will damage the plastic panel, use only non-ammonia cleaners, such as Gold Medal Watchdog Glass Cleaner (Item No. 2588).

Parts List



Item	Part Description	Part Number		
		8570-00-000	8571-00-000	8572-00-000
1	FOOD SHIELD ACRYLIC	111840	111872	114001
2	FOOD SHIELD BRACE	111837	111838	111839
3	FOOD SHIELD STAND, LH	114201	114201	114201
4	FOOD SHIELD STAND, RH	114202	114202	114202
5	FOOD SHIELD HARDWARE KIT (includes all fasteners)	114023	114023	114023
6	LABEL, DO NOT CLEAN	49393	49393	49393